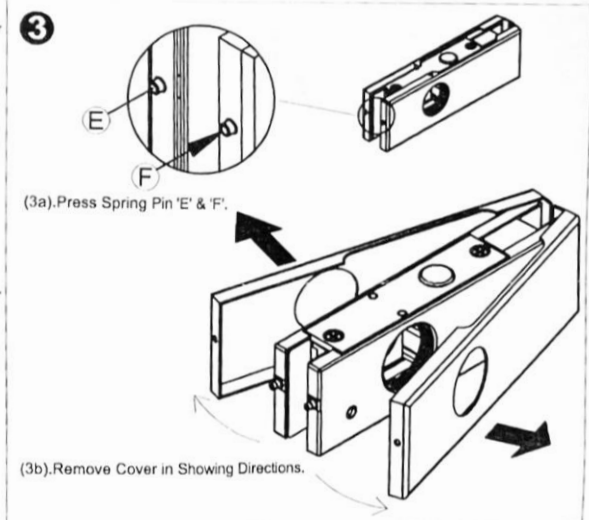
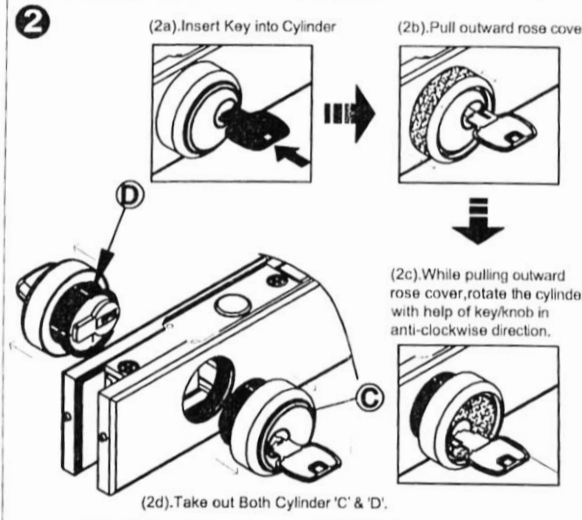
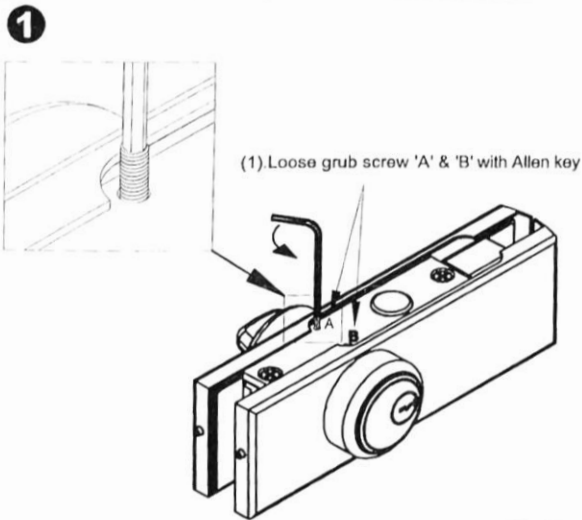
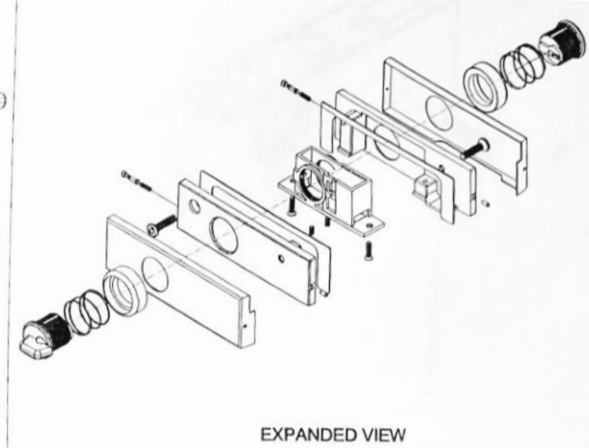
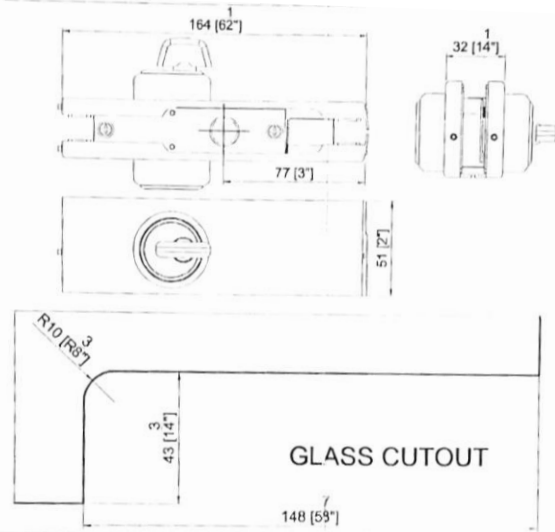
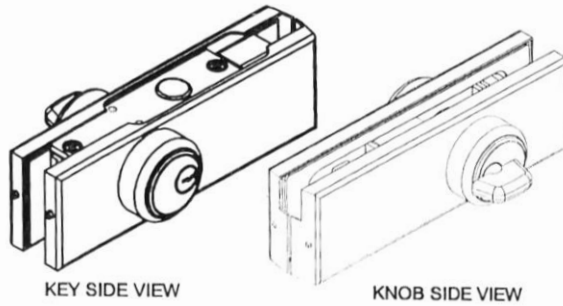


INSTALLATION INSTRUCTIONS



Bohle

portals

Bohle America Inc
10924 Granite Street, Suite 200
Charlotte, NC 28273

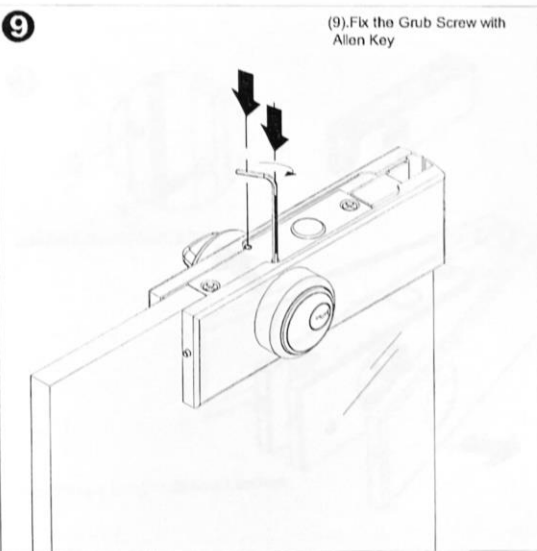
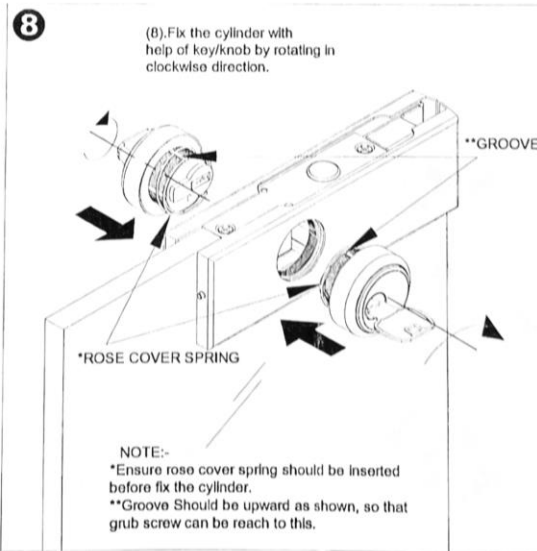
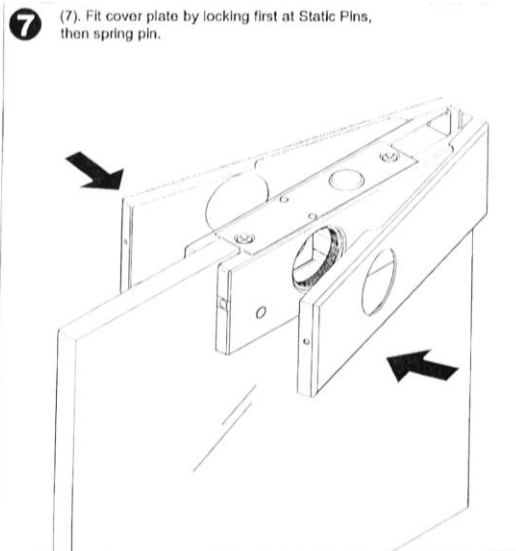
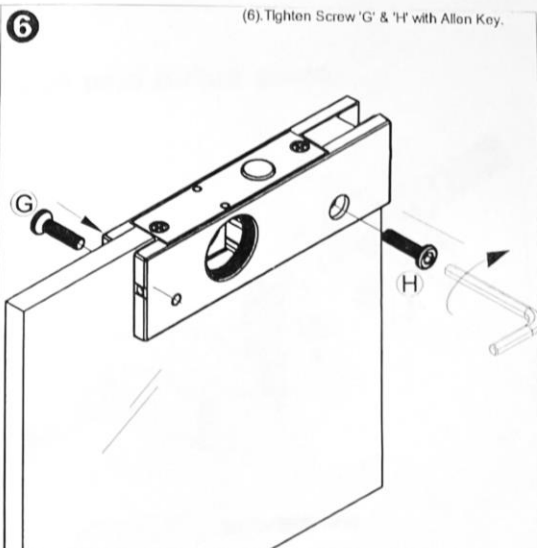
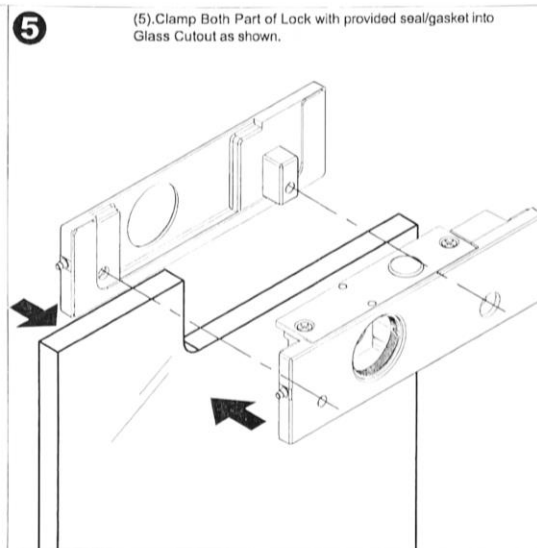
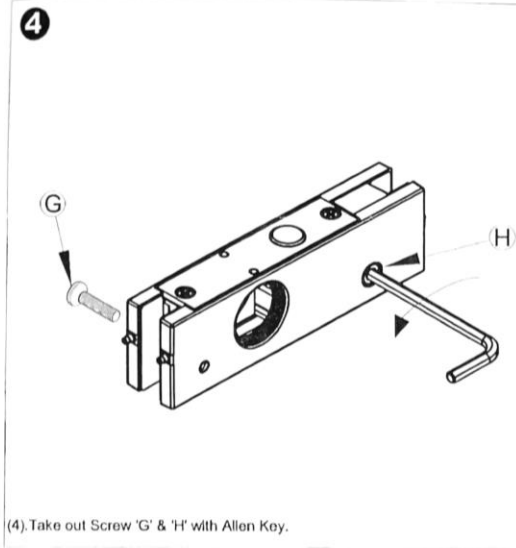
T +1 888 838 6006
F +1 704 547 8420
info@bohle-america.com

Description: Patch Lock with Strike Plate

Article(s): BA5214600, BA5214601

Drawn by: --

Date: 4.4.23



 <p>Bohle America Inc 10924 Granite Street, Suite 200 Charlotte, NC 28273</p> <p>T +1 888 838 6006 F +1 704 547 8420 info@bohle-america.com</p>	Description: Patch Lock with Strike Plate	
	Article(s): BA5214600, BA5214601	
	Drawn by: --	Date: 4.4.23